

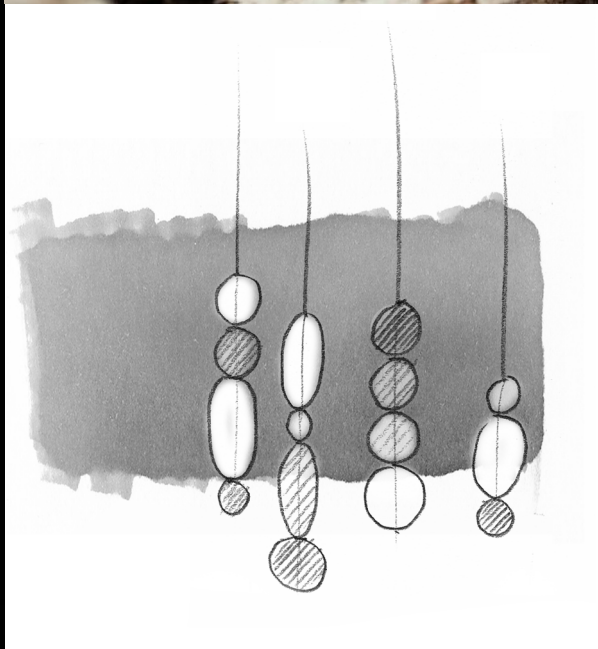


pelololes

loomma



inspiration



## PEBBLES

Keepsakes of treasured memories.

Smooth pebbles from summer beach, or as a reminder of someone special. Their diverse shapes and colors inspired this collection that lets you to create distinctive combinations. String the hand-blow glass elements just like colorful beads, connected by their interior light source.

Design by Boris Klimek

production





projects





BOMMA catalogue, 2021



BOMMA Atelier, Prague, 2021



Poliform showroom, Lyon, 2021



Interior by Studio Salaris

EuroLuce 2023, Milan



Image AR visuals



Archiproducts showroom, Milan, 2022



Interior by Monument office



Interior by Monument office



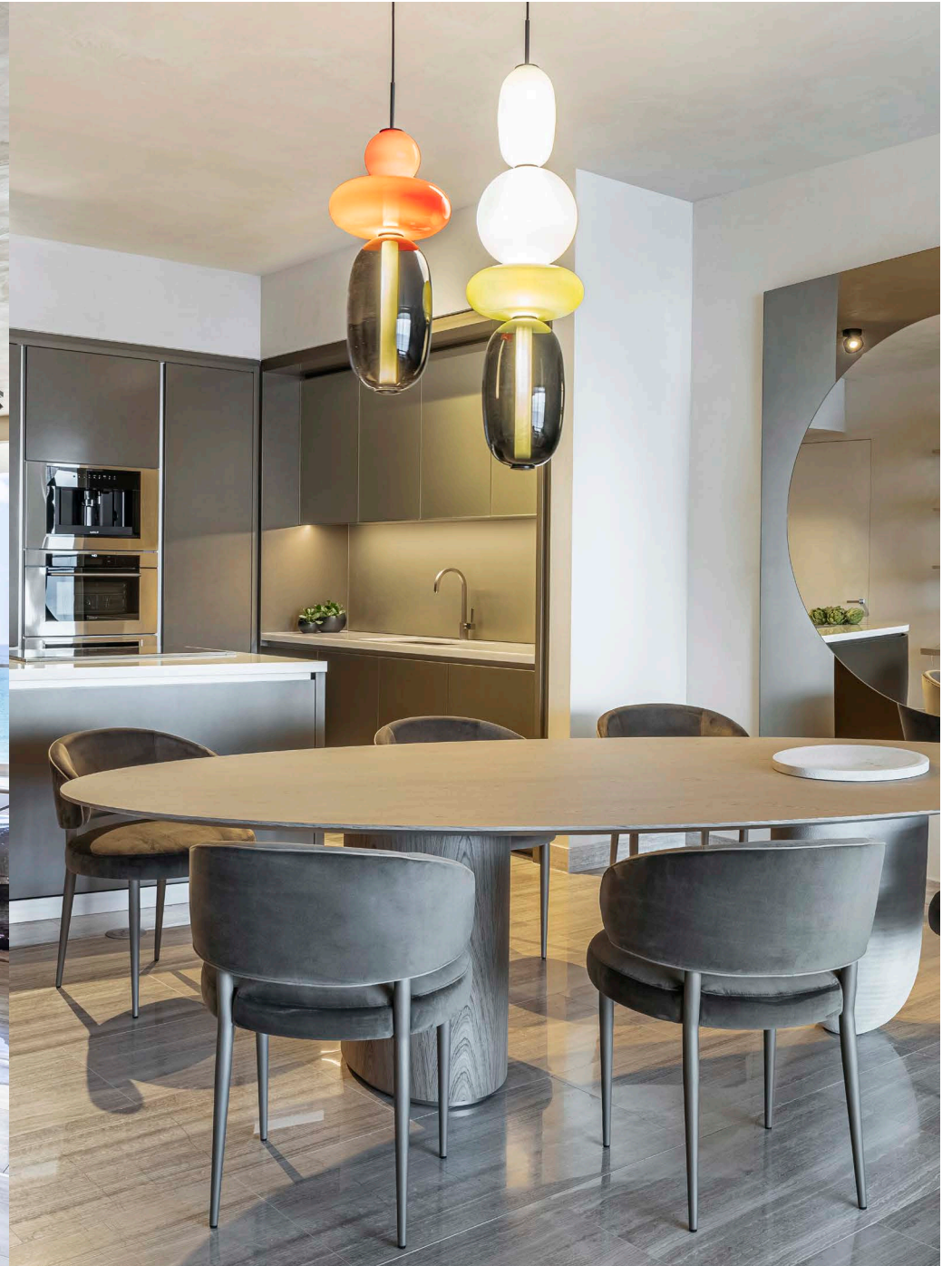
Crestyl showroom, 2020



Minotti catalogue, 2020



Private residence by Jaegger Interior, 2021



Private residence by Jaegger Interior, 2021



Private residence, Bratislava, 2019



Minotti catalog, 2020



options



configuration 1  
black fitting



configuration 2  
black fitting



configuration 7  
black fitting

Choose among standard configurations or  
create your own lighting with Pebbles configurator

Glass options: light grey, white, black, red, green  
Fitting options: black

# pendant large



configuration 1  
black fitting



configuration 4  
black fitting



configuration 5  
black fitting



configuration 8  
black fitting



configuration 9  
black fitting

Choose among standard configurations or  
create your own lighting with Pebbles configurator

Glass options: light grey, white, black, red, green  
Fitting options: black

# pendant small



configuration 3  
black fitting



configuration 4  
black fitting

Choose among standard configurations or  
create your own lighting with Pebbles configurator

Glass options: light grey, white, black, red, green  
Fitting options: black

# floor large



configuration 1  
black fitting



configuration 3  
black fitting

# floor small

Choose among standard configurations or  
create your own lighting with Pebbles configurator

Glass options: light grey, white, black, red, green  
Fitting options: black

technical informations

# PEBBLES

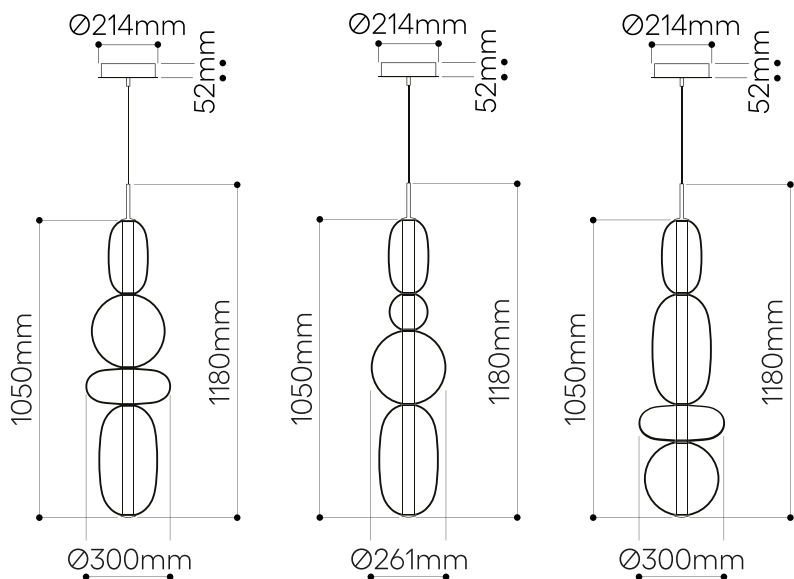
## pendant large

Design by  
Boris Klimek

### Handmade glass attributes

All Bomma products are hand-made from mouth-blown lead-free crystal. Therefore any small bubbles, non-melts and irregularities in the glass are both proof and a characteristic feature of this traditional craft.

The Pebbles Collection is made by underlying colored glass technology. Thanks to the manual process of blowing underlay glass, each piece is an original. Individual products may vary slightly in intensity, hue or even color. This is an accompanying characteristic of the traditional underlay glass technology.



### LIGHTING DESCRIPTION

Size	dia 300 mm, H 1180 mm dia. 11,8 inch, H 46,5 inch
Cable	black textile braid cable 2,5 m 98,4 inch
Weight	+/- 12 kg / 30 lb
Glass	mouth-blown lead-free crystal in black, light grey, white, green and red
Mounting	black (aluminium black elox + matt powder coating)
Protection	IP 20
Nominal voltage	220-240V / A.C. 50-60 hz (EU) 110-120 V / A.C. 60 Hz (USA)
Class	I. EU / I. USA

### LIGHT SOURCE

Type	LED module, 28W, 2800lm, 1050 mA, 27V
Base	custom LED module
Voltage	220-240V, AC (EU) / 110-120V, AC (USA)
Temperature	2700 K
Color index	RA 90+
Dimming	Dimmable with TRIAC, ELV, 0-10V, PUSH, DALI, CASSAMBI

### PACKAGING

Material	Cardboard
Size	540 × 540 × 1550 mm 21,3 × 21,3 × 61 inch

Origin: traditionally produced in the Czech Republic  
Intellectual property license holder: Bomma Czech Republic (EU)  
Represented by BMRC group s.r.o.

CERTIFICATES



bomma

# PEBBLES

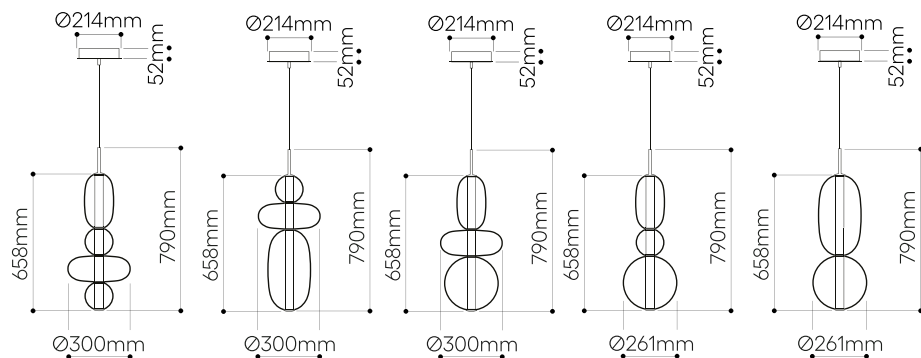
## pendant small

Design by  
Boris Klimek

### Handmade glass attributes

All Bomma products are hand-made from mouth-blown lead-free crystal. Therefore any small bubbles, non-melts and irregularities in the glass are both proof and a characteristic feature of this traditional craft.

The Pebbles Collection is made by underlying colored glass technology. Thanks to the manual process of blowing underlay glass, each piece is an original. Individual products may vary slightly in intensity, hue or even color. This is an accompanying characteristic of the traditional underlay glass technology.



### LIGHTING DESCRIPTION

Size	dia 300 mm, H 790 mm dia. 11,8 inch, H 31,1 inch
Cable	black textile braid cable 2,5 m 98,4 inch
Weight	+/- 7,5 kg / 16,5 lb
Glass	mouth-blown lead-free crystal in black, light grey, white, green and red
Mounting	black (aluminium black elox + matt powder coating)
Protection	IP 20
Nominal voltage	220-240V / A.C. 50 hz (EU) 110-120 V / A.C. 60 Hz (USA)
Class	I. EU / I. USA

### LIGHT SOURCE

Type	LED module 18,6W, 350mA, 1860lm, 54V
Base	custom LED module
Voltage	220-240V, AC (EU) / 110-120V, AC (USA)
Temperature	2700 K
Color index	RA 90+
Dimming	Dimmable with TRIAC, ELV, 0-10V, PUSH, DALI, CASSAMBI

### PACKAGING

Material	Cardboard
Size	540 × 540 × 1030 mm 21,3 × 21,3 × 40,5 inch

Origin: traditionally produced in the Czech Republic  
Intellectual property license holder: Bomma Czech Republic (EU)  
Represented by BMRC group s.r.o.

CERTIFICATES



bomma



# PEBBLES

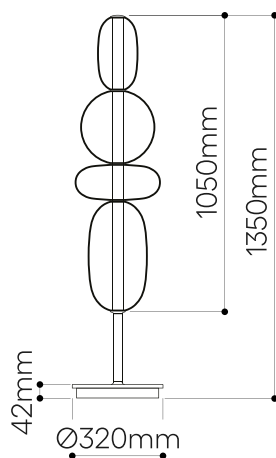
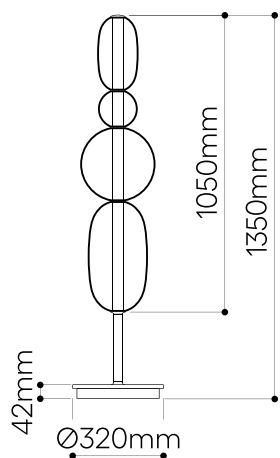
## floor lamp large

Design by  
Boris Klimek

### Handmade glass attributes

All Bomma products are hand-made from mouth-blown lead-free crystal. Therefore any small bubbles, non-melts and irregularities in the glass are both proof and a characteristic feature of this traditional craft.

The Pebbles Collection is made by underlying colored glass technology. Thanks to the manual process of blowing underlay glass, each piece is an original. Individual products may vary slightly in intensity, hue or even color. This is an accompanying characteristic of the traditional underlay glass technology.



### LIGHTING DESCRIPTION

Size	dia 320 mm, H 1350 mm dia. 12,6 inch, H 53,15 inch
Cable	black textile braid cable 1,8 m / 70,8 inch
Weight	+/- 28 kg / 61,6 lb
Glass	mouth-blown lead-free crystal in black, light grey, white, green and red
Mounting	black (aluminium black elox + matt powder coating)
Protection	IP 20
Nominal voltage	220-240V A.C. 50-60 hz (EU) 110-120 V A.C. 60 Hz (USA)
Class	I. EU / I. USA

### LIGHT SOURCE

Type	LED module, 28W, 2800lm, 1050 mA, 27V
Base	custom LED module
Voltage	220-240V, AC (EU) / 110-120V, AC (USA)
Temperature	2700 K
Color index	RA 90+
Dimming	Dimmable with TRIAC, ELV, 0-10V, PUSH, DALI, CASSAMBI

### PACKAGING

Material	Cardboard
Size	2x 540 × 540 × 1550 mm 2x 21,3 × 21,3 × 61 inch

Origin: traditionally produced in the Czech Republic  
Intellectual property license holder: Bomma Czech Republic (EU)  
Represented by BMRC group s.r.o.

CERTIFICATES



bomma

# PEBBLES

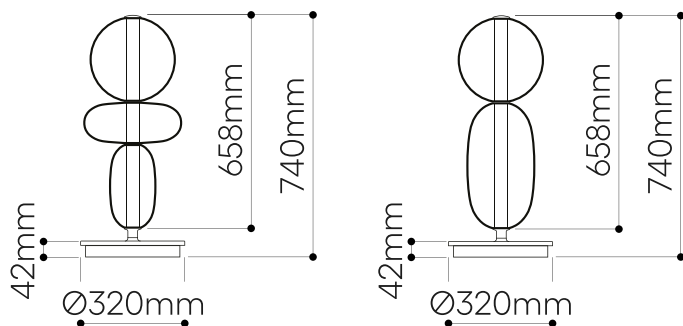
## floor lamp small

Design by  
Boris Klimek

### Handmade glass attributes

All Bomma products are hand-made from mouth-blown lead-free crystal. Therefore any small bubbles, non-melts and irregularities in the glass are both proof and a characteristic feature of this traditional craft.

The Pebbles Collection is made by underlying colored glass technology. Thanks to the manual process of blowing underlay glass, each piece is an original. Individual products may vary slightly in intensity, hue or even color. This is an accompanying characteristic of the traditional underlay glass technology.



### LIGHTING DESCRIPTION

Size	dia 320 mm, H 740 mm dia. 12,6 inch, H 29 inch
Cable	black textile braid cable 1,8 m / 70,8 inch
Weight	+/- 18 kg / 45 lb
Glass	mouth-blown lead-free crystal in black, light grey, white, green and red
Mounting	black (aluminium black elox + matt powder coating)
Protection	IP 20
Nominal voltage	220-240V / A.C. 50 hz (EU) 110-120 V / A.C. 60 Hz (USA)
Class	I. EU / I. USA

### LIGHT SOURCE

Type	LED module 18,6W, 350mA, 1860lm, 54V
Base	custom LED module
Voltage	220-240V, AC (EU) / 110-120V, AC (USA)
Temperature	2700 K
Color index	RA 90+
Dimming	Dimmable with TRIAC, ELV, 0-10V, PUSH, DALI, CASSAMBI

### PACKAGING

Material	Cardboard
Size	2x 540 × 540 × 1030 mm 2x 21,3 × 21,3 × 40,5 inch

Origin: traditionally produced in the Czech Republic  
Intellectual property license holder: Bomma Czech Republic (EU)  
Represented by BMRC group s.r.o.

CERTIFICATES



bomma

BMRC Group s.r.o.  
Hvězdova 1716/2b,  
Prague 4, 140 00,  
Czech Republic

[info@bomma.cz](mailto:info@bomma.cz)

step beyond